



Devonshire®
Medicine Cabinet
K-CB-CLW2030DAW

Features

- Right-hand door with mirror and white-enameled frame.
- Mirrors on back of door and interior back of cabinet.
- Two adjustable tempered glass shelves.
- Includes mounting hardware for surface or recessed installation.
- Includes side mirror kit for surface installation.
- Coordinates with other products in the Devonshire collection.

Material

- Anodized aluminum construction with a durable rust- and chip-resistant finish.

Recommended Accessories

- K-10570 Single-light Wall Sconce
- K-10571 Double-light Wall Sconce
- K-11365 Single-light Wall Sconce
- K-11366 Double-light Wall Sconce
- K-2659 Cabinet Lockbox

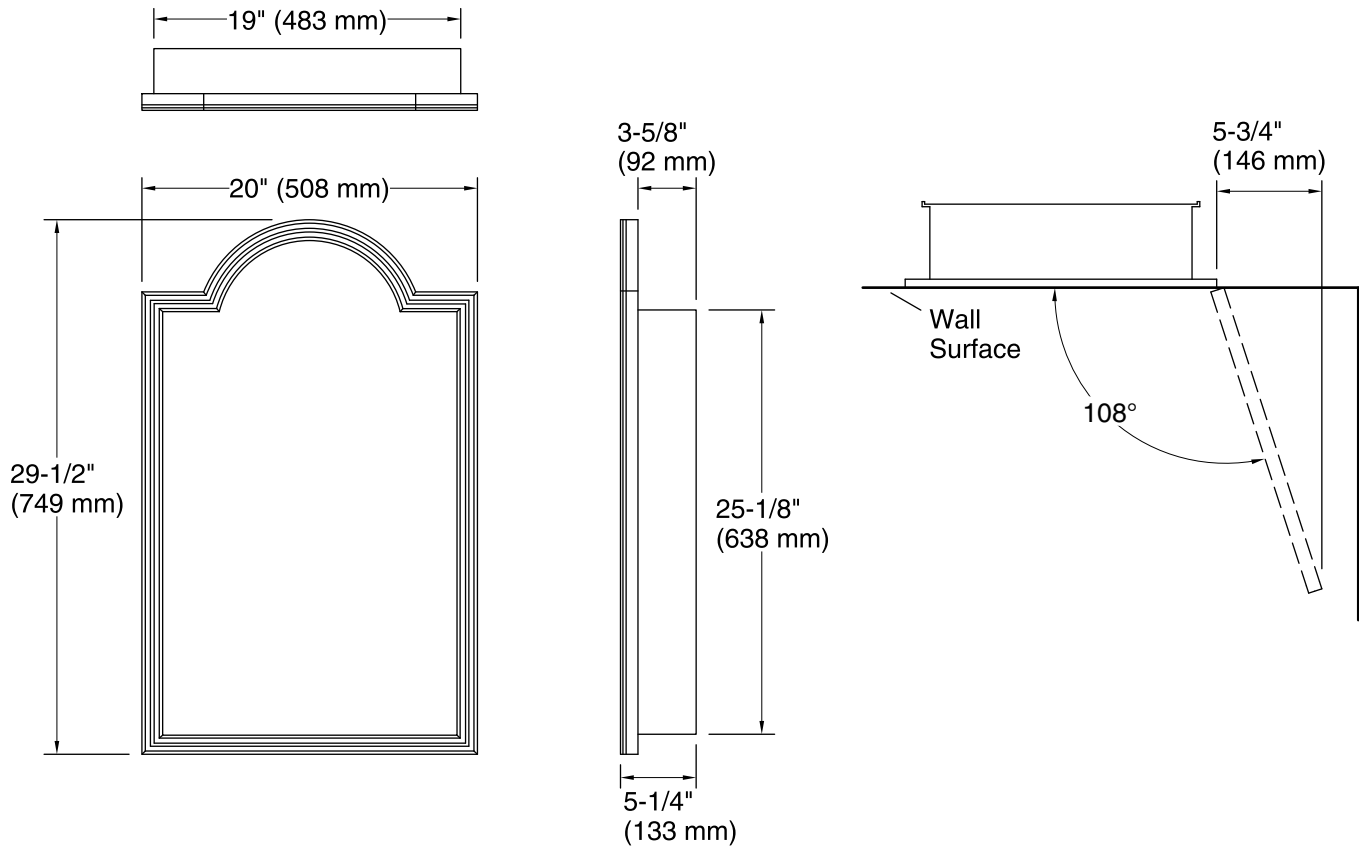


Codes/Standards

None Applicable

KOHLER® One-Year Limited Warranty

See website for detailed warranty information.



Technical Information

All product dimensions are nominal.

Recess-Mount Cutout:

Width:	19-1/4" (489 mm)
Height:	25-1/4" (641 mm)
Depth:	3-5/8" (92 mm)

Notes

Install this product according to the installation guide.

When determining the height of the medicine cabinet, ensure the mirrored door will clear all obstacles (such as a faucet). A minimum distance of 2" (51 mm) is required.

Secure the screws (provided) to a stud to avoid possible property and product damage. If this is not possible, anchors (not provided) must be inserted before installing the screws.

Cutout for recess-mount installation: 19-1/4" (489 mm) width x 25-1/4" (641 mm) height x 3-5/8" (92 mm) depth.

This cabinet is designed for a right-hand door swing. Check for obstructions.